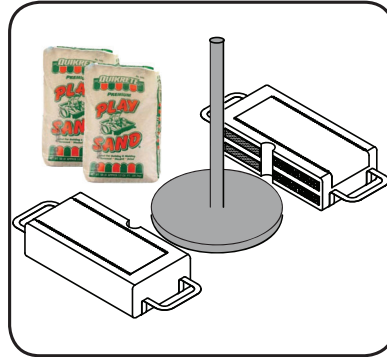
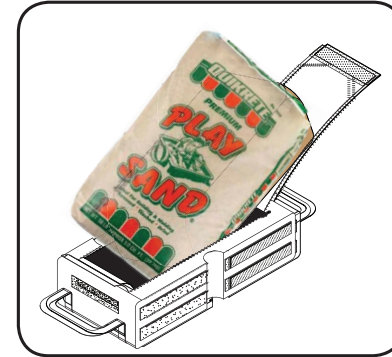


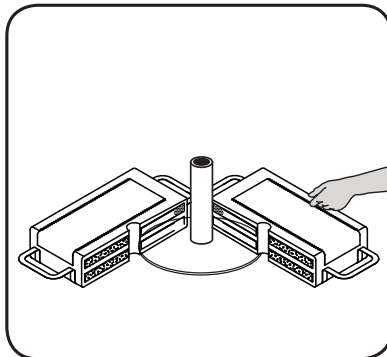
Unfold both halves of the DUO™ Gravipod. Umbrella Weight Bags.



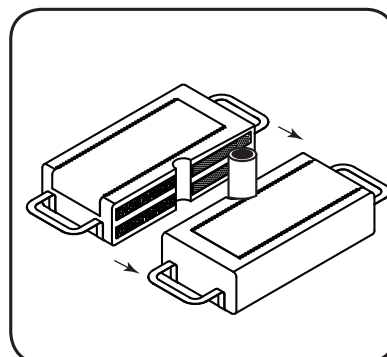
Position both halves on the umbrella stand with the Easy-Fill ports facing up.



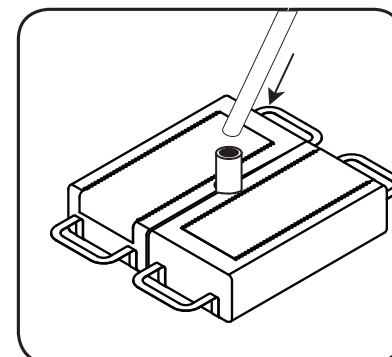
Each half of the Duo Direct is designed to accept a single 50 lb sack of Play Sand. Leave it right in the bag for fast setup



Once filled, re-zip fill ports



Push both halves together, lining up the velcro on each side. Press firmly together.



Set the umbrella back into the stand – your Gravipod. DUO™ weight bag is ready to go to work! Total weight equals 100lbs/45kg.

At Premier Tents we highly value and utilize customer feedback as we strive to continually improve our products and performance.

As a matter of fact, the very product in your hand was based upon customer inspired innovation!

If you could please take a few moments of your valuable time to write a product review, we promise we will honor your effort and put your feedback to good use.

Questions or Concerns? Please allow us to address them directly. Call us at 877-746-8368.

NOTE: When not in use, remember to move your DUO™ Gravipod™ inside for storage.